

# Shiley™ Custom Tracheostomy Tube Template Dual Cannula Adult

<b>ORDER:</b> <input type="checkbox"/> NEW ORDER <input type="checkbox"/> RE-ORDER
<b>PRODUCT:</b> <input type="checkbox"/> NON-STERILE <input type="checkbox"/> STERILE
<b>NUMBER OF CUSTOM TRACHEOSTOMY TUBES ORDERED:</b> QTY: _____ (UOM = EA)
<b>ACCESSORIES INCLUDED WITH EACH TUBE (UOM=EA):</b> <ul style="list-style-type: none"> <li>• 2 Obturators</li> <li>• Either 1 disposable inner cannula, 2 reusable inner cannulas, or 2 low profile inner cannulas</li> <li>• Extra disposable inner cannula available at additional cost</li> </ul>
<b>SPECIAL INSTRUCTIONS:</b>
<b>IF RE-ORDER PLEASE LIST PREVIOUS LOT NUMBER:</b>
Product requiring modification outside the current template selection is considered an SCD product. <b>Please contact Customer Service for assistance at 800-635-5267 option 1 then 3 for assistance.</b>

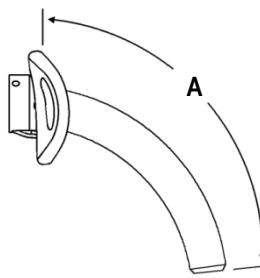
<b>PHYSICIAN NAME:</b>
<b>PATIENT NAME:</b>

<b>PURCHASER ORDER NUMBER:</b>
Ship to Account Number: _____
Phone: _____
Fax: _____
<b>SHIPPING INSTRUCTIONS:</b>
Address: _____
City: _____
State: _____ Zip: _____

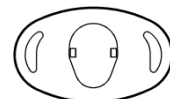
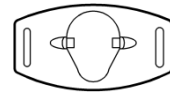
**CONTACT INFORMATION:**  
TOLL FREE:(800) 635-5267  
FAX: (800) 696-3636  
www.shileycustomtrach.com

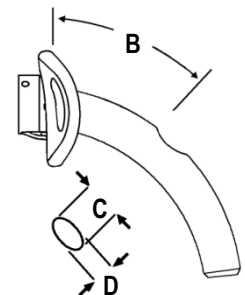
STEP 1				
PRODUCT	SIZE	I.D.	O.D.	(A) Standard Length
<b>Disposable</b>				
<input type="checkbox"/> MDCT	<input type="checkbox"/> 4	6.4	11.1	62
<input type="checkbox"/> MDFEN	<input type="checkbox"/> 6	7.6	12.6	74
<input type="checkbox"/> MDCFS	<input type="checkbox"/> 8	8.9	13.7	79
<input type="checkbox"/> MDCFN	<input type="checkbox"/> 10	5.0	9.4	79
<b>Reusable</b>				
<input type="checkbox"/> MLPC	<input type="checkbox"/> 4	5.0	9.4	65
<input type="checkbox"/> MFEN	<input type="checkbox"/> 6	6.4	10.8	76
<input type="checkbox"/> MCFS	<input type="checkbox"/> 8	7.6	12.2	81
<input type="checkbox"/> MCFN	<input type="checkbox"/> 10	8.9	13.8	81
<b>MLGT</b>				
<input type="checkbox"/>	<input type="checkbox"/> 6	6.4	11.1	50
<input type="checkbox"/>	<input type="checkbox"/> 8	7.6	12.6	50
<input type="checkbox"/>	<input type="checkbox"/> 10	8.9	13.7	50

NOTE: All dimensions are in millimeters

STEP 2	
<b>CANNULA LENGTH:</b>	
<input type="checkbox"/> STANDARD (as specified in the table above)	
<input type="checkbox"/> MODIFIED	
Total Length A: _____mm	
NOTE: Minimum shorten length is 40 mm, not available in an extended length.	
NOTE: Please consider our TracheoSoft XLT extended length stock product with inner cannula.	

STEP 3
<b>CUFF:</b>
<input type="checkbox"/> UNCUFFED
<input type="checkbox"/> STANDARD
<input type="checkbox"/> OVERSIZED (Size 10 only)
<input type="checkbox"/> STOMA
<input type="checkbox"/> STOMA ONLY
<input type="checkbox"/> DOUBLE DISTAL (LPC & DCT only)
NOTE: MLGT is only available uncuffed

STEP 4		
<b>FLANGE:</b>	<b>COLOR:</b>	<b>SOFT SWIVEL</b>
<input type="checkbox"/> SOFT SWIVEL	WHITE	
<input type="checkbox"/> RIGID SWIVEL	WHITE	
<input type="checkbox"/> RIGID SWIVEL	CLEAR	<b>RIGID SWIVEL</b>
ROTATE: _____ Degrees		
<input type="checkbox"/> Counter Clockwise		
<input type="checkbox"/> Clockwise		
NOTE: Not to exceed 40 degrees; rotation available on uncuffed only		

STEP 5	
<b>FENESTRATION:</b>	
NOTE: Fenestration location and size can be modified on uncuffed tubes only. Complete both location and size for fenestration option.	
<input type="checkbox"/> NON-FENESTRATED	
<input type="checkbox"/> STANDARD LOCATION	
<input type="checkbox"/> MODIFIED LOCATION	
Distance B: _____mm	
<input type="checkbox"/> STANDARD SIZE	
<input type="checkbox"/> MODIFIED SIZE	
Length C: _____mm	
Width D: _____mm	